



Next Scope, Better Solution

CM400 Series

PROFESSIONAL & ADVANCED EDUCATIONAL MICROSCOPE

This high performance small footprint microscope is designed for those who require superior optical performance in a smaller size with the ability to upgrade as needs change. From bright field to dark field to phase contrast, the CM400 is well suited for a wide variety of applications in Advanced Education, Medical and Veterinary Diagnostic Medicine.

General Features:

The CM400 has full size features in a small package. It features an ergonomic Seidentopf head that rotates 360 degrees in two axis and offers a wide interpupillary range. The precision co-axial focus has a large low drive, research grade, mechanical stage with room for two slides. The reverse facing nosepiece protects the objectives and provides clear access to the stage.

Illumination:

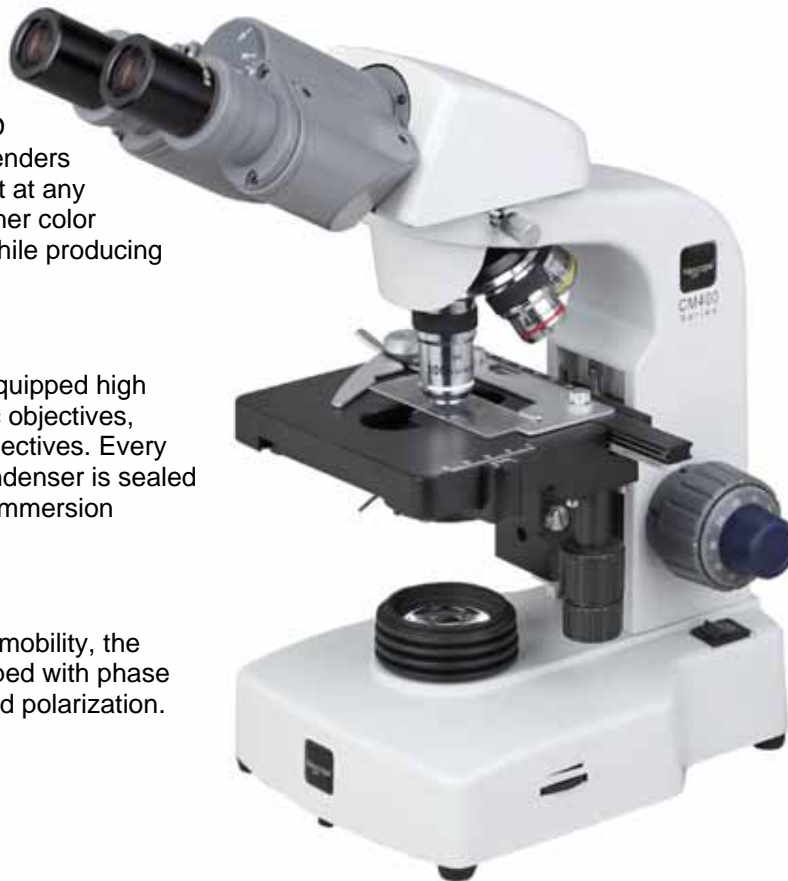
The CM400 is equipped with the latest high power LED lighting system that renders a more uniform output at any level with a much higher color temperature beam, while producing little or no heat.

Optical System:

The CM400 can be equipped high resolution Achromatic objectives, Semi Plan or Plan objectives. Every 40x objective and condenser is sealed to protect against oil immersion contamination.

Upgradeable:

Designed for upward mobility, the CM400 can be equipped with phase contrast, dark field and polarization.



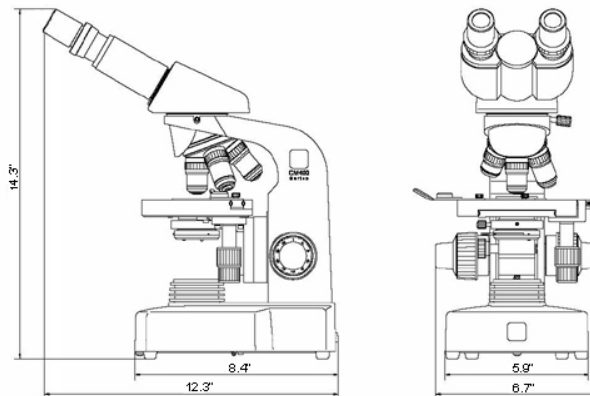
Features At A Glance

- ◇ Big features in a Small foot print
- ◇ Seidentopf head
- ◇ W10X 18mm eyepieces standard
- ◇ High Performance objectives from Achromatic to Plan Achromatic
- ◇ Sealed 40x & Condenser
- ◇ Multi Discipline System: Bright field, Dark field and Phase Contrast
- ◇ All metal gearing
- ◇ High performance 3 watt LED illumination
- ◇ Cool white light at 6000 Kelvin
- ◇ Long life LED bulb
- ◇ UL/CE Adapter

Nexcope

CM400 Series

Specifications



LENGTH	WIDTH	HEIGHT	WEIGHT
8.4"	6.7"	14.3"	10 lbs

MODEL	HEAD	EYEPIECE	OBJECTIVES	CONDENSER	ILLUMINATOR
CM401 w/ Achromatic	Seidentopf Binocular Head	W10XD 18mm	4XD, 10XD, 40XRD (sealed) 100XRD Achromatic	Abbe 1.25 NA (sealed) Rack & Pinion	3W LED w/Dimmer Switch
CM402 w/ Semi-Plan	Seidentopf Binocular Head	W10XD 18mm	4XD, 10XD, 40XRD (sealed) 100XRD Semi Plan	Abbe 1.25 NA (sealed) Rack & Pinion	3W LED w/Dimmer Switch

Accessories for CM400 Series:

OCCULAR HEAD

CMA470 Seidentopf binocular head
 CMA471 Seidentopf trinocular head w/ Ø23.2mm port
 CMA472 Digital binocular head 1.3MP

EYEPIECES

CMA376 W10XD, 18mm
 CMA431 W15XD

OBJECTIVE KITS & SINGLE OBJECTIVES

CMA421 4XD Achromatic
 CMA422 10XD Achromatic
 CMA423 20XRD Achromatic
 CMA424 40XRD(Sealed) Achromatic
 CMA425 60XRD Achromatic
 CMA426 100XRD Achromatic
 CMA520 4XD, 10XD, 40XRD (Sealed), 100XRD Semi Plan

PHASE CONTRAST

CMA550 Carousel Phase Kit
 Includes 4X, 10X Phase, 40X Phase, 100X Phase plan objectives, multi phase carousel for phase, bright field & dark field, 1.25NA condenser, centering telescope and green filter
 CMA560 Professional Phase Kit
 Includes plan phase objectives 10X, 20X, 40X, 100X, turret with 1.25NA condenser, centering telescope and green filter

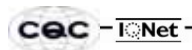
DARK FIELD CONDENSER

CMA576 Dark field condenser
 CMA577 Dark field condenser- higher contrast and higher brightness
 CMA578 Dark field plan objective 100X with iris diaphragm

SIMPLE POLARIZING KIT

CMA475 Polarizing kit with polarizer and analyser

ISO9001 : 2000



00109Q11543R2M/3

ISO14001 : 2004



00107E20511R0M/330



Design Changes: Nexcope

reserves the right to make changes in instrument design in accordance with changes in technology without notice or obligation.

Ample Scientific L.L.C.

4220 Steve Reynolds Boulevard, Suite 9, Norcross, GA 30093
 Phone: (678) 380-0369
 E-mail: sales@amplescientific.com
 Http://www.amplescientific.com

Authorized Dealer: